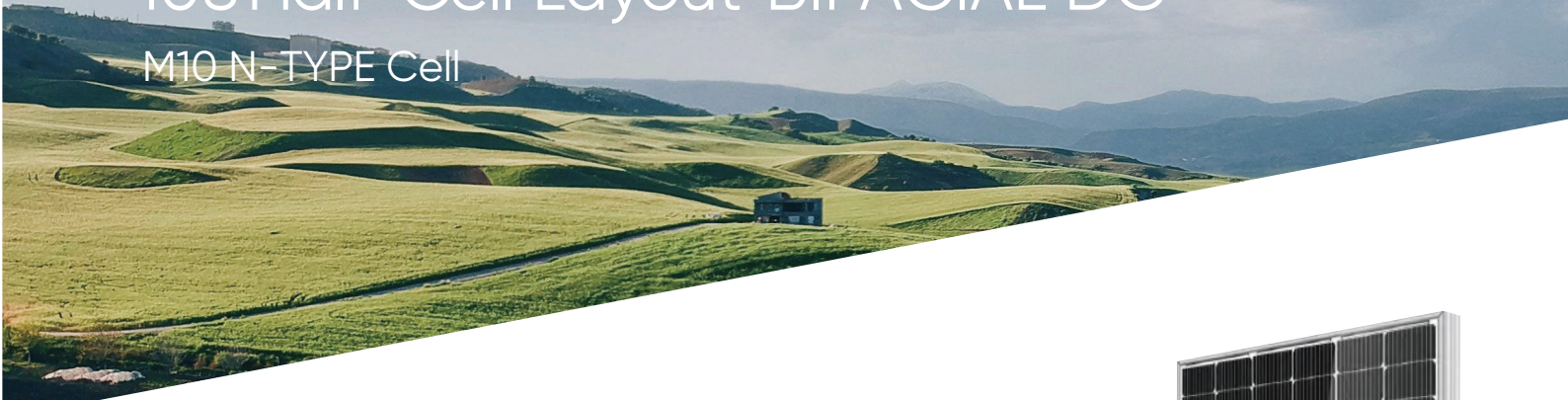


420-440W Mono

108 Half-Cell Layout BIFACIAL DG

M10 N-TYPE Cell



N-TYPE TOP CON Cell Technology



SMBB Half Cut Cell Technology



Bifacial Cell Module Technologies



Excellent Anti-PID Low LID Performance



Less Hot Spot Shading Effects



Higher Power Output Lower BOS & LCOE

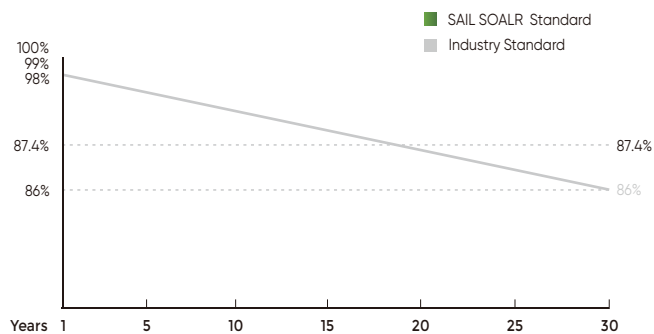
- ISO9001:2015QMS
- ISO14001:2015 EMS
- ISO45001:2018 OHSMS
- IEC61215/IEC61730 Standard Quality
- IEC61701/IEC62716 Salt/Mist/Ammonia Tests



30
years
POWER WARRANTY

15
years
PRODUCT WARRANTY

Linear Performance Warranty



SAIL SOLAR Mono I 420-440W BIFACIAL DG

ELECTRICAL PARAMETERS

POWER CLASS	SAS420N-108M10	SAS425N-108M10	SAS430N-108M10	SAS435N-108M10	SAS440N-108M10
	STC	STC	STC	STC	STC
Maximum power (Pmax)	420W	425W	430W	435W	440W
Open Circuit Voltage (Voc)	38.49V	38.73V	38.96V	39.19V	39.42V
Short Circuit Current (Isc)	13.99A	14.06A	14.13A	14.20A	14.27A
Voltage at Maximum power (Vmp)	31.63V	31.84V	32.04V	32.25V	32.45V
Current Maximum Power (Imp)	13.28A	13.35A	13.42A	13.49A	13.56A
MODULE EFFICIENCY (%)	21.51%	21.76%	22.02%	22.28%	22.53%

STC: Irradiance 1000W/m², cell temperature 25°C, AM1.5G

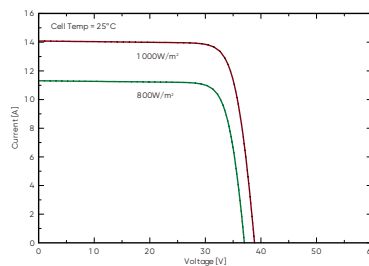
BIFACIAL OUTPUT -REAR SIDE POWER GAIN

5%	Maximum power (Pmax)	441W	446W	452W	457W	462W
	Module Efficiency STC (%)	22.58%	22.85%	23.12%	23.39%	23.66%
15%	Maximum power (Pmax)	483W	489W	495W	500W	506W
	Module Efficiency STC (%)	24.73%	25.03%	25.32%	25.62%	25.91%
25%	Maximum Power (Pmax)	525W	531W	538W	544W	550W
	Module Efficiency STC (%)	26.89%	27.21%	27.53%	27.85%	28.17%

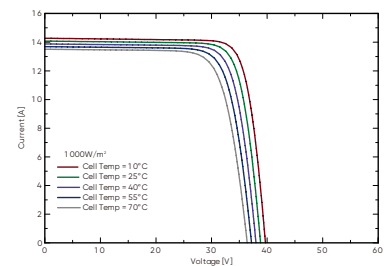
PACKING CONFIGURATION

Container	20'GP	40'HQ
Pieces per pallet	36	36
Pallets per container	6	26
Pieces per container	216	936

I-V CURVE

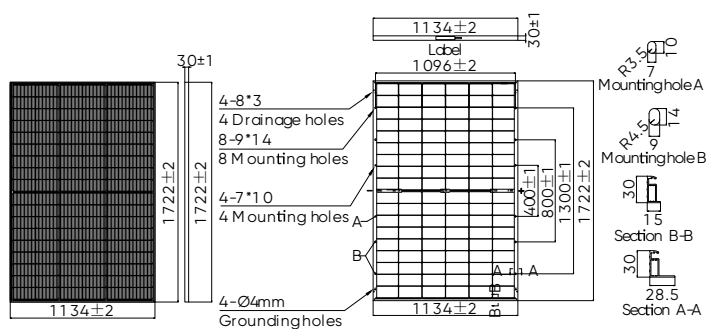


SAS430N-108M10 /I-V



MECHANICAL CHARACTERISTICS

Solar Cells	N-type Mono
No. of Cells	108 (6x18)
Dimensions	1722 x 1134 x 30mm
Weight	23.5kg
Front Glass	2.0mm coated tempered glass
Frame	Anodized aluminium alloy (reinforced high-load optional)
Junction Box	Ip68 rated (3 by pass diodes)
	4.0mm ²
Output Cables	250mm (+) / 350mm (-)
	Length can be customized
Connectors	Mc4 compatible
Mechanical load test	Front 5400Pa / Rear 2400Pa



OPERATING CHARACTERISTICS

Operating Module Temperature	-40°C to +85°C
Maximum System Voltage	1500 DC (IEC)
Maximum Series Fuse Rating	30A
Power Tolerance	0/+5W

TEMPERATURE CHARACTERISTICS

Nominal Operating Temperature (NMOT)	45±2°C
Temperature Coefficient of Pmax	-0.29%/°C
Temperature Coefficient of Pmax	-0.25%/°C
Temperature Coefficient of Pmax	+0.045%/°C